

## **LEWMAR**

### **Atlantic Portlight and Fixedlight Fitting Instructions**

(To be retained in owners manual for future reference)

Lewmar Atlantic Portlights and Fixedlights are for use on all types of craft in accordance with the following standard:

**ISO/DIS 12216.2(E), DESIGN CAT. "A", AREAS I, II, III and IV....**Portlights sizes 10,30 & 32 and all Fixedlights.

**ISO/DIS 12216.2(E), DESIGN CAT. "A", AREAS II, III and IV.....**All other sizes of Portlight.

Modification of the product will invalidate the compliance with the standard.

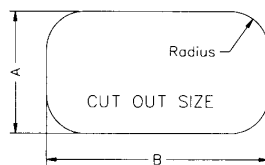
#### **Fitting Instructions**

Lewmar Portlight and Fixedlights should be fitted to a flat surface with a maximum tolerance of +/-1mm extending 12mm beyond the planned cutout and a deck / hull thickness of 8-24mm (portlight) or 8-35mm (fixedlight). Hold the inner frame on the inside of the intended position, ensure that a flat bearing area exists over the surface of the inner frame.

With a pencil mark out the cutout to the recommended dimension shown.

**The lower edge of product fitted in the hull AREA I should be a minimum of 600mm above the floatation plane in the crafts fully loaded ready-for-use condition, the boat being at rest in the upright condition.**

**Where craft intended to be operated on 'OCEAN' or 'OFFSHORE' voyages (as defined by ISO/DIS 12216.2(E)), no part of the plate or its framing is to extend beyond the outer surface of the hull or of a built-in-fairing being an integral part of the hull.**



Size No.	Dim A		Dim B		Radius	
	mm	ins	mm	ins	mm	ins
10	154	6 <sup>1</sup> / <sub>8</sub>	284	11 <sup>3</sup> / <sub>8</sub>	61	2 <sup>3</sup> / <sub>8</sub>
30	180	7 <sup>1</sup> / <sub>8</sub>	380	14 <sup>1</sup> / <sub>8</sub>	61	2 <sup>3</sup> / <sub>8</sub>
32	180	7 <sup>1</sup> / <sub>8</sub>	380	14 <sup>1</sup> / <sub>8</sub>	90	3 <sup>1</sup> / <sub>2</sub>
40	180	7 <sup>1</sup> / <sub>8</sub>	460	18 <sup>1</sup> / <sub>8</sub>	61	2 <sup>3</sup> / <sub>8</sub>
52	221	8 <sup>1</sup> / <sub>8</sub>	539	21 <sup>1</sup> / <sub>4</sub>	61	2 <sup>3</sup> / <sub>8</sub>
60	180	7 <sup>1</sup> / <sub>8</sub>	580	22 <sup>1</sup> / <sub>8</sub>	61	2 <sup>3</sup> / <sub>8</sub>
64	180	7 <sup>1</sup> / <sub>8</sub>	630	24 <sup>1</sup> / <sub>8</sub>	61	2 <sup>3</sup> / <sub>8</sub>

**It is essential that the outer frame is placed squarely on the opening.**

**When fitting a number of portlights it is advisable to prepare a template.**

Cut out deck along pencil line using a suitable saw.

Where the deck is of composite construction, it is recommended that the exposed laminate be sealed with the appropriate material prior to fitting the product. Openings cut in metal decks should have all burrs and sharp edges removed.

**Portlights and Fixedlights should not be considered as stiffening members and it is recommended that the deck be adequately stiffened to prevent distortion during heavy weather.**

Measure thickness of skin (and inner trim if fitted).

Re-check the frame on aperture and then apply bedding compound to the channel in outer frame. Bedding compound must have good adhesive qualities (eg. silicone sealant), be a suitable grade for marine sealing applications, of 3mm minimum thickness and compressible to allow the outer frame to be pulled down in contact with the deck by the securing screws.

Position the outer frame unit, and with the inner frame joint on the lower edge, bolt firmly in place, working from the centre out to the ends up to a maximum torque of 2.8Nm (25 in.lb). Clean off surplus sealant.

**Caution:**

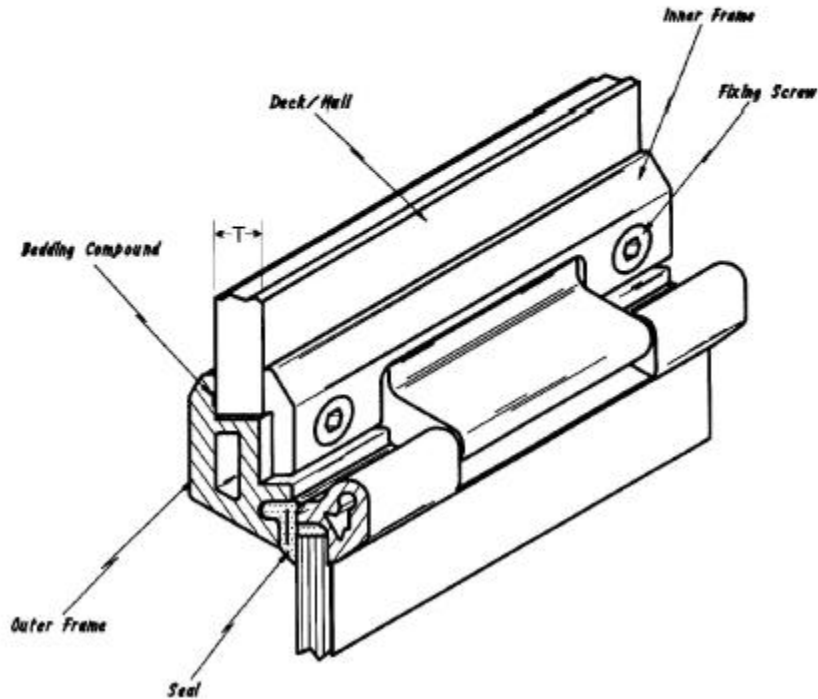
**M5 screws supplied are for skin thickness 8-10mm. It is important that you use the correct length of screw otherwise you will damage the product. Check skin thickness and select correct length of screw from table.**

Dimension T	Screw	Order No.
8 – 10mm	use M5x16	360360999
11 – 15mm	use M5x20	360361999
16 – 19mm	use M5x25	360362999
20 – 24mm	use M5x30	360363999

#### **Alternative screw length table**

Please Turn Over

For portlight installations, check for correct operation of the window, closing / locking operation, even pressure on the seal etc. Don't forget to leave the flyscreen on board.



### **Typical installation cross section**

Portlight shown

### **User Notes**

Flyscreens, when fitted are located between the outer frame and seal, enabling the portlight to be closed with the flyscreen in place. See the separate sheet for detailed instructions.

If a deadlight is required, we suggest that a plywood, aluminium or fibreglass plate be made to cover the portlight (notched to clear the hinges and handles on opening versions). The portlight trim moulding can then be removed allowing the inner frame to be drilled and tapped to facilitate bolting the deadlight in position.

Always wash the Portlight or Fixedlight with soap, water and a soft cloth.

**Never use abrasive or solvent cleaners on the window, as this may at a later date damage the acrylic.**

Please Turn Over